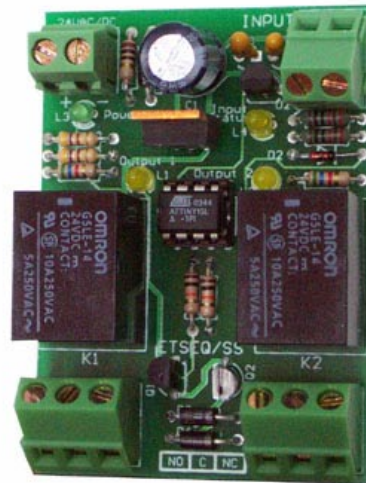


START - STOP INTERFACE

FEATURES:

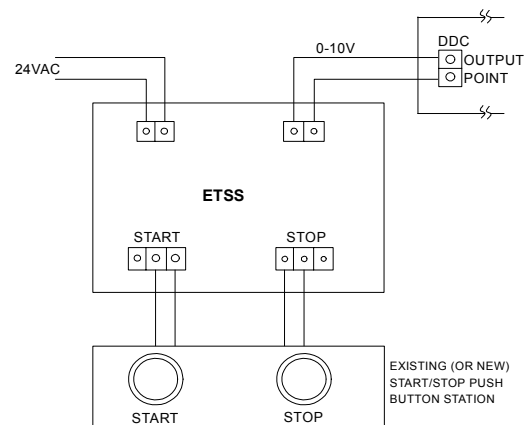
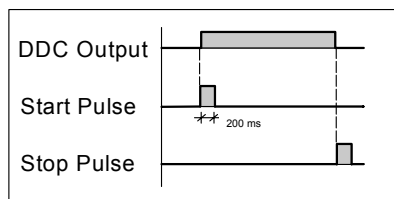
- Two Form 'C', 5 A Rated Outputs
- Easy installation (Angular Connectors)
- Reduced Output Point Count
- LED Status Indicators
- Compact Size (Snap Track Mounted)



APPLICATION:

The ETSS interfaces a single DDC Output point with a **Start/Stop push button station** or a **Low Voltage lighting relay** (i.e. GE relays).

The S/S station is not eliminated and only one DDC point is used to provide the required Start and Stop pulses.



PRODUCT DESCRIPTION:

The ETSS is designed to interface one Energy Management System standard output point (DO or AO) with the existing manual Start/Stop push button station. The board provides a single 200 ms pulse to start the equipment when the EMS output point turns 'ON' and another 200 ms pulse to stop it when the EMS output switches 'OFF'.

This approach reduces the number of EMS output points required to control a Start/Stop station and allows for fast and economical interfacing. The wiring cost may be significantly reduced because of usually easy access to the S/S push buttons as opposed to the associated magnetic contactors.

SPECIFICATIONS:

<i>Power Req.:</i>	24 VAC (or DC), 100 mA
<i>Input:</i>	0-10 VDC (contact ELKOR for other voltages)
<i>Output:</i>	Two 5A @125 V, form 'C', relays; pulse duration about 200 ms.
<i>Indication:</i>	Power Supply(green LED); input signal (yellow LED)
<i>Dimensions:</i>	L= 2.0" (5 mm), W= 2.75" (70 mm); Mounts in TR-2 snap track (provided)